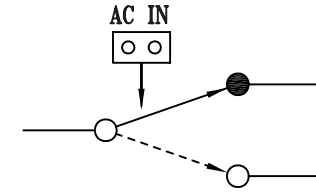
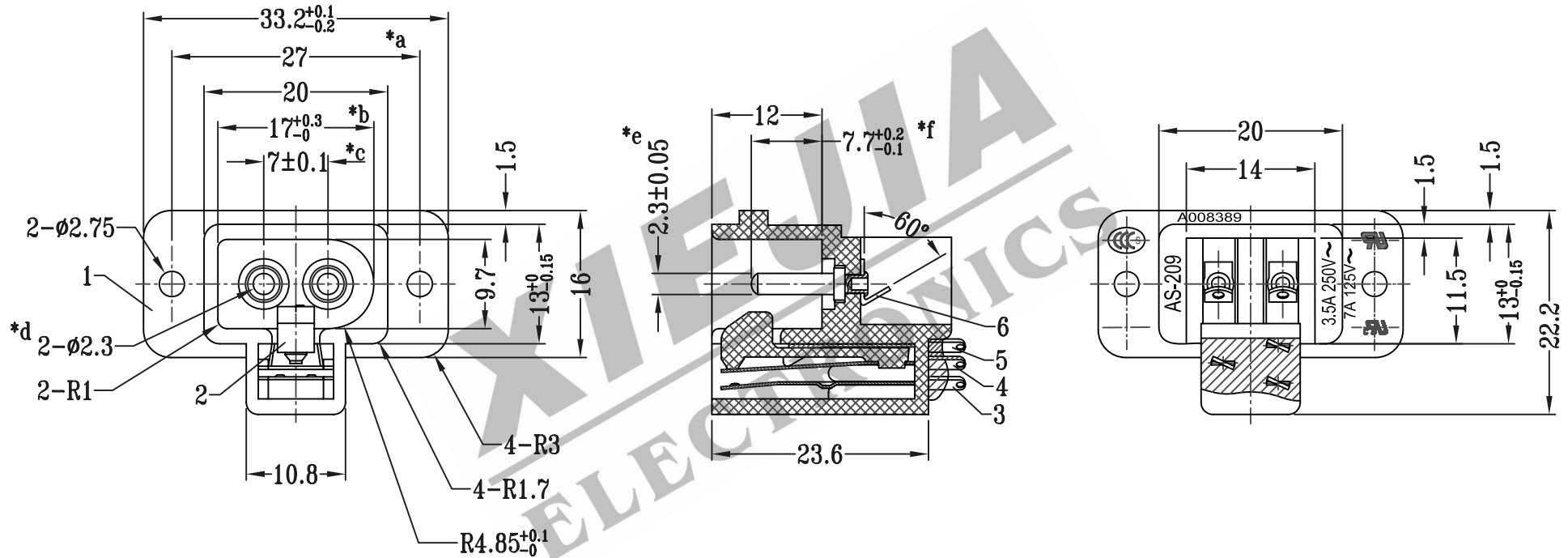


CAD FILE:

SAFERY STANDARD APPROVAL :
UL E232213



SCHEMATIC



注:带*表示关键尺寸(6个)

					TOLERANCE UNLESS SPECIFIED		SHENZHEN XIEJIA ELECTRONICS CO.,LTD.				
					WITHIN: 1.5±0.1mm		ISSUE	DATE	DESCRIPTIONS		APPD.
					OVER : 1.5±0.2mm				TITLE : AC SOCKET		
8									DRWG NO.: XJ-DR-AS209-00		
7									SCALE: 3:2		
6	SOCKET	BRASS STRIP	2	Ag PLATED					DWN.	ZHOUYU	2005-12-8
5	SHORT TERMINAL	BRASS STRIP	1	Ag PLATED					CHK'D	FANGYING	2005-12-8
4	SPRING TERMINAL	PBS STRIP	1	Ag PLATED					APPD.	KANGXINAN	2005-12-8
3	LONG TERMINAL	PBS STRIP	1	Ag PLATED					ALL MATERIALS MUST BE COMPLIANT TO ROHS		
2	BAR	PC	1	BLACK							
1	CASE	PC	1	BLACK							
NO.	PART NAME	MATERIAL	Q'TY	FINISHING							